

Lift sling pick up yoke should locate directly over the center of flotation of an empty dinghy for level carrying. Fore and aft sling legs will be equal lengths.

Add an outboard engine to the transom and the center of flotation will move aft.

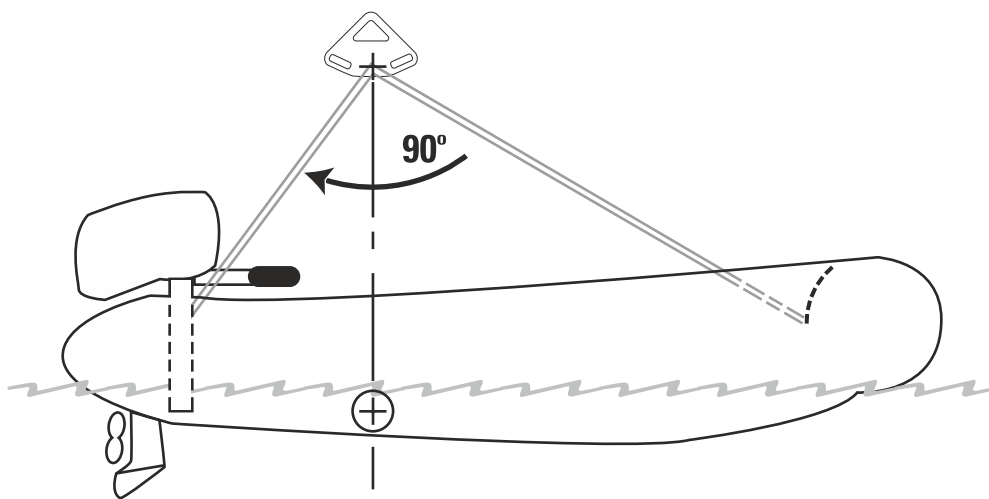
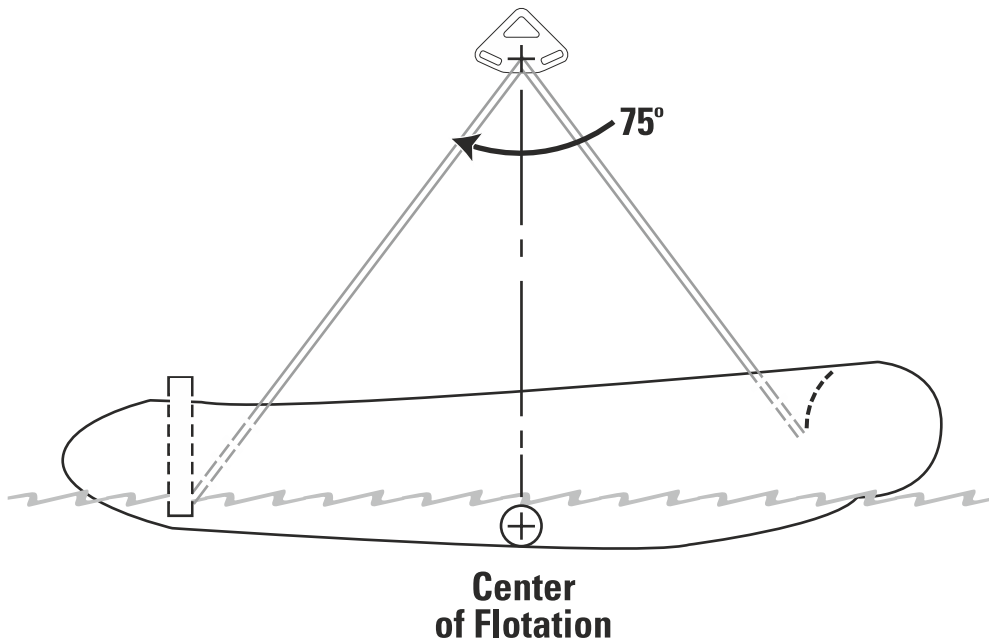
Shorten the sling's aft legs to bring the lift point over the center of flotation.

Example: 8'-6" inflatable dinghy

Empty: Fore and aft legs are 62" (157.5cm) long and lift angle is 75.

Add 4 hp outboard engine (54 lbs. / 24.5kg):
Shorten aft legs to 36" and lift center will position over the new center of flotation. Angle will be 90.

Lift Point



CAUTION: Do not change the weave pattern of the webbing through the adjuster. **NOTE:** If the word **DANGER** appears on the adjuster, webbing is improperly woven and may slip under load.



OCTOPUS

www.kong.it